

Commercial Round Dampers

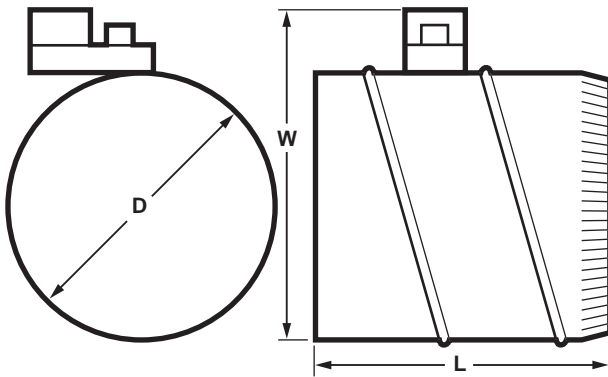
D690 Low-Leakage, Single-Blade, Round Dampers



The D690 Round Damper is used in conventional air handling systems to control airflow in a round duct. The damper is designed for ease of use with Honeywell Direct Coupled Actuators.

- Neoprene seal for tight closing and low leakage
- Oilite bearings for long life
- 90 degree damper travel for a variety of applications

Dimensions in inches (millimeters)



Application: heating, cooling, ventilating

Type of Blade: Single-blade, round

Temperature Range: 32 F to 130 F (0 C to 54 C)

Used With: Zelix (MSXX03, MSXX05) MN6105, MN6110, MN7505, MN7510; ML6161; ML7161; W7751 VAV Controller

DAMPER DIAMETER (D)		WIDTH (W)		LENGTH (L)	
in.	mm	in.	mm	in.	mm
6	152	9-1/2	241	12	305
8	203	11-1/2	292	12	305
10	254	13-1/2	343	12	305
12	305	15-1/2	394	13	330
14	356	17-1/2	445	15	381
16	406	19-1/2	495	17	432

M17412

	Product Number	Integral Actuator	Maximum Approach Velocity (ft/ min)	Input Signal	Description
*	D690A1002/U	None	2500 ft/min	none	6 inch, Single Blade Round Damper
*	D690A1010/U	None	2500 ft/min	none	8 inch, Single Blade Round Damper
*	D690A1028/U	None	2500 ft/min	none	10 inch, Single Blade Round Damper
*	D690A1036/U	None	2500 ft/min	none	12 inch, Single Blade Round Damper
*	D690A1044/U	None	2500 ft/min	none	14 inch, Single Blade Round Damper
*	D690A1051/U	None	2500 ft/min	none	16 inch, Single Blade Round Damper

* TRADELINE models • SUPER TRADELINE models